

PAR 575 W Daylight Par

- Specifically designed lenses and reflectors, giving superior optical performance
- Improved light quality and output - significantly brighter
- High quality, rugged, durable
- Corrosion resistant for longer life
- Compatibility of parts throughout the range
- A comprehensive selection of accessories, interchangeable with existing Quartzcolor products
- Easy to service and maintain
- Scratch resistant black non-reflective housing
- ON-OFF buttons, operated from both head and ballast
- Performance lenses mounted in colour coded frames
- Complete head supplied with barndoor, a set of 6 lenses in case, and head to ballast cable
- Also available as a kit, including ballast and flight case
- Meets all relevant international standards and regulations



Operational data

Safety:

A microswitch system prevents the lamp operating if the front section is open.

12 x 12 mm wire mesh guard and safety glass.

Accessory fitting:

Cast aluminium ears.
Spring loaded top catch for retention of lenses and accessories.

Tilt adjustment:

Pivot located at centre of gravity for excellent balance and positive locking.

Focus adjustment:

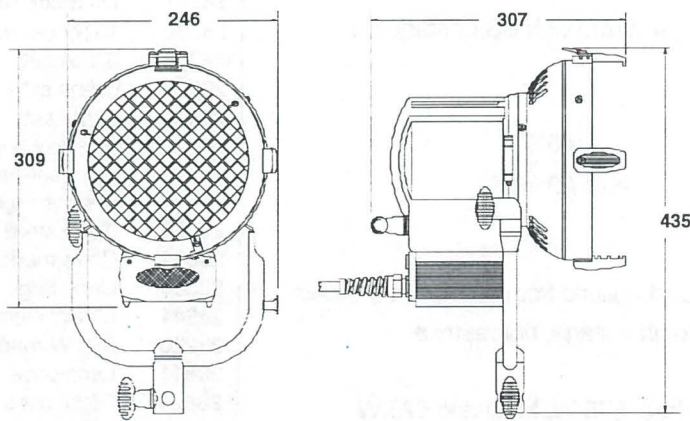
Rear knob for smooth and precise action

Beam adjustment:

by means of a set of 6 beam spreading lenses fitted on colour coded holders which can easily rotate through 170°.

Lamp access:

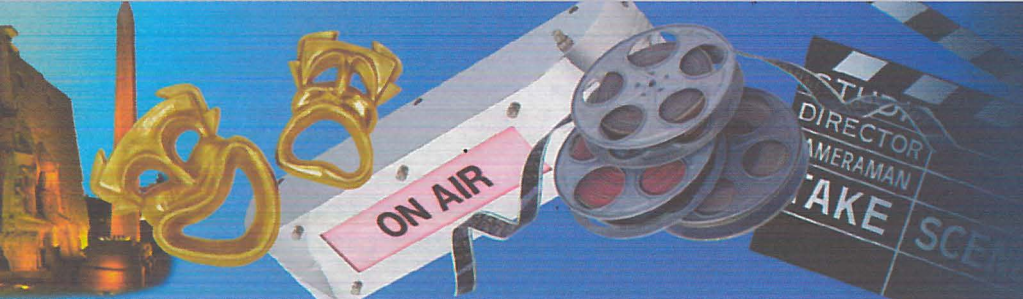
Hinged lens door allows easy access for lamp replacement.



Weights & dimensions

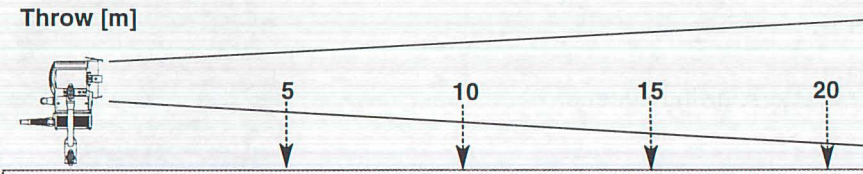
Lens diameter	200mm	Weight (head+stirrup)	4.6kg
Accessory diameter	230mm	Packed weight	30.5kg
Filter cut size	220x220mm	Packed volume (kit)	360x770x350mm

Ballast dimensions
p/n 25941 112x180x210mm - 3.5kg
p/n 25220 330x216x170mm - 14kg



Photometric data

Typical performance based on 575 W HMI lamp:



	5	10	15	20
Super spot (3.8°)	Lux 69,200	Lux 17,300	Lux 7,690	Lux 4,320
V narrow spot (4°) <i>blue</i>	62,000	15,500	6,890	3,880
Narrow spot (6°) <i>black</i>	35,720	8,930	3,970	2,230
Narrow flood (9.8° x 22.8°) <i>green</i>	10,600	2,650	1,180	660
Medium flood (18.5° x 53.8°) <i>yellow</i>	2,820	700	315	180
Extra wide flood (68.8°) <i>red</i>	1,130	280	125	70
Frosted fresnel (38.5°) <i>white</i>	990	250	110	60

Mechanical data

Paint / Finish	Powder coated epoxy paint with special extra high temperature treatment in critical areas. External textured low gloss finish
Lamp house	Die cast aluminium
Reflector	Large diameter high-reflectivity aluminium
Mounting	Robust tubular steel stirrup with BS or standard DIN socket

Environmental Data

Max operating ambient temperature:	45°C
Tilt recommended angle of use:	-60° / 0 / 60°

Electrical data

Switching:	ON/OFF double pushbuttons from both head & ballast
Ignitor:	Small, compact, high voltage, hot restrike
Ignition voltage:	25 kV
Ballasts:	Electronic flicker-free, 575 W, Magnetic 575 W
Standards compliance:	CE marking, c UL us

Lamp data

HMI/MSR 575W single ended	
LCL [mm]	70
Base	G22
Lumens	49,000
Rated life hours [H]	1000
Colour temp. [K]	5600

Ordering information
Cat.No Description

27917	PAR 575 W bare head with stirrup
27540	PAR 575 W supplied with stirrup, 4 leaf rotating barndoor, 7.5 metre ext. cable, set of 6 lenses, lens case
27541	PAR 575 W KIT supplied with head, stirrup, 4 leaf rotating barndoor, 7.5 metre ext. cable, set of 6 lenses, scrim set, electr. ballast, flight case

Optional accessories
Cat. No Description

28110	4 leaf barndoor
28201	7.5 metre extension cable
28202	15 metre extension cable
28838	6 lens set
28805	6 lens set + case
28305	Scrim set (one double scrim, one single scrim, one half double scrim, one half single scrim)
28083	Cone small
28084	Cone medium
28085	Cone large
25941	575 W electronic ballast
25220	575 W magnetic ballast
28811	Lens case
28801	Flight case
28843	Adaptor cable to other ballasts

The Company reserves the right to make any variation in design or construction to the equipment described. © Strand Lighting Ltd 1998. Strand™, Strand Lighting™, Strand Quartzcolor™ are trade marks of Strand Lighting Limited and Strand Lighting Inc.

Strand Lighting Ltd North Hyde House Hayes Rd Heston Middx UB2 5NL UK Tel: +44 (0)181 571 3588 Fax: +44 (0)181 571 3305
Strand Lighting GmbH Ullsteinstrasse 114-142 D-12109 Berlin Germany Tel: +49 (0) 30/70 79 51 0 Fax: +49 (0) 30/70 79 519 9
Strand Lighting Italia srl Via delle Gardenie 33 00040 Pomezia-Roma Italy Tel: +39 06 919631 Fax: +39 06 9147136
Strand Lighting Asia Ltd 7/F Corporation Square 8 Lam Lok Street Kowloon Bay Hong Kong Tel: +852 2757 3033 Fax: +852 2757 1767

LONDON - BERLIN - ROME - PARIS - MOSCOW - LOS ANGELES - NEW YORK - TORONTO - HONG KONG